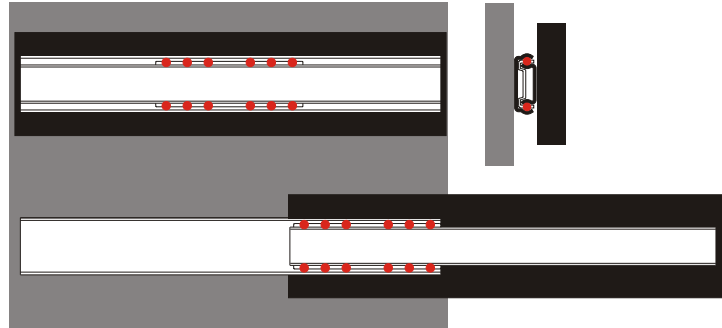
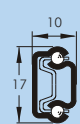
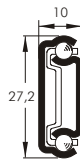
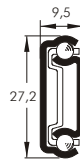

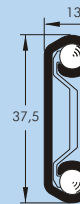


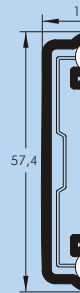


Partial extension slide
Travel \leq 80% of slide length






Basic profiles - Partial extension slides



AIR
MOTION

 ITS 017 0-15 kg	 ITS 010 0-25 kg	 ITS 011 0-25 kg	 ITS 016 0-65 kg	 ITS 012 0-70 kg	 ITS 064 0-30 kg	 ITS 061 0-60 kg	 ITS 018 0-150 kg
---	--	--	--	--	--	--	---

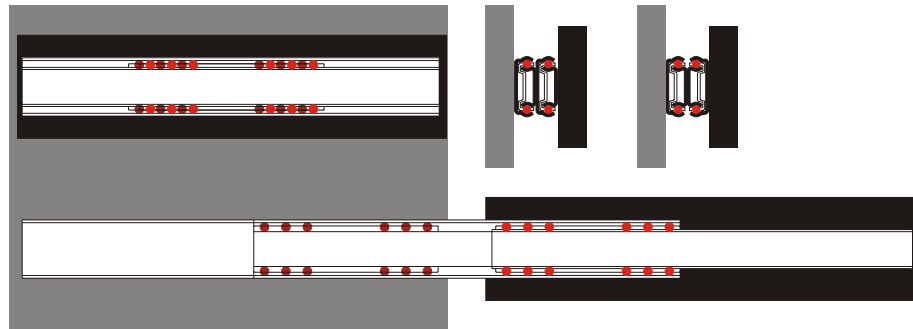
Stainless steel

 ITS 023 0-15 kg	 ITS 022 0-18 kg	 ITS 010 0-25 kg
--	--	--

Special designs Examples

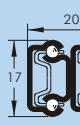






 ITS 064 0-30 kg	 ITS 062 0-60 kg
--	--




Full extension slide "Classic"
Travel approx. 80% up to \geq 100%

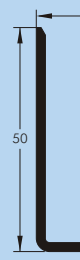


Basic profiles - Full extension slides "Classic"

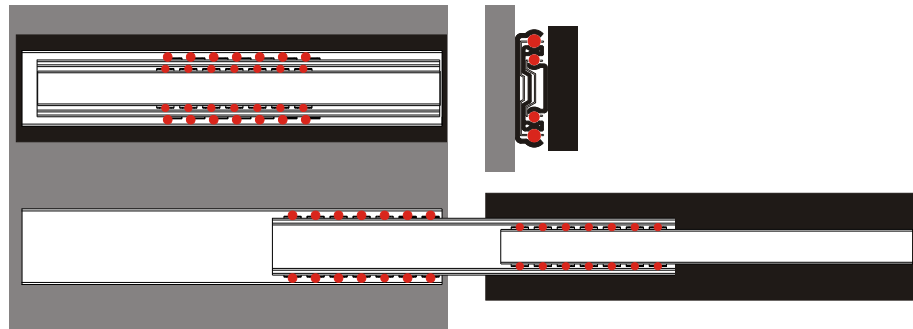
AIR
MOTION

 ITS 042 0-12 kg	 ITS 040 0-30 kg	 ITS 041 0-30 kg	 ITS 026 0-45 kg	 ITS 044 0-60 kg	 ITS 043 0-70 kg	 ITS 048 0-150 kg
--	---	---	---	---	---	--







 ITS 046 0-15 kg	 ITS 045 0-20 kg	 ITS 040 0-35 kg
---	---	---


 ITS 040 0-30 kg

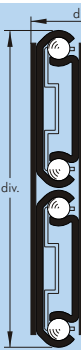
Full extension slide "Compact"
Travel approx. 80% up to \geq 100%



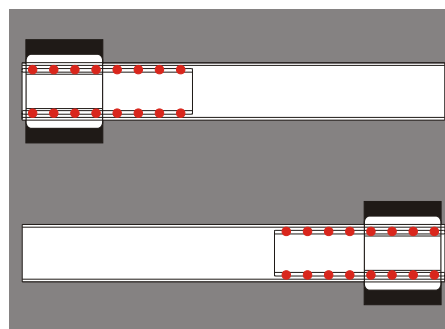
Basic profiles - Full extension slides "Compact"

 ITS 072 0-40 kg	 ITS 036 0-70 kg	 ITS 037 0-100 kg	 ITS 038 0-100 kg	 ITS 039 0-100 kg	 ITS 070 0-200 kg
--	--	---	---	---	---

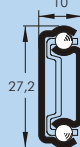
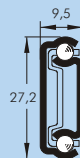
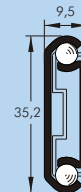



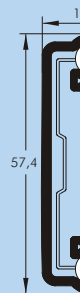
 ITS 078 0-100 kg

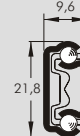


 ITS 058 0-300 kg

Linear slide
Travel within the slide length



Basic profiles - Linear slides

 ITS 010	 ITS 011	 ITS 016	 ITS 012	 ITS 014	 ITS 015	 ITS 018
---	---	---	---	---	---	---

 ITS 023	 ITS 022	 ITS 010
---	---	---

Comments:

The indicated load rates are guide values for a pair of ball bearing slides mounted vertically.

The profile dimensions are indicated in mm.